



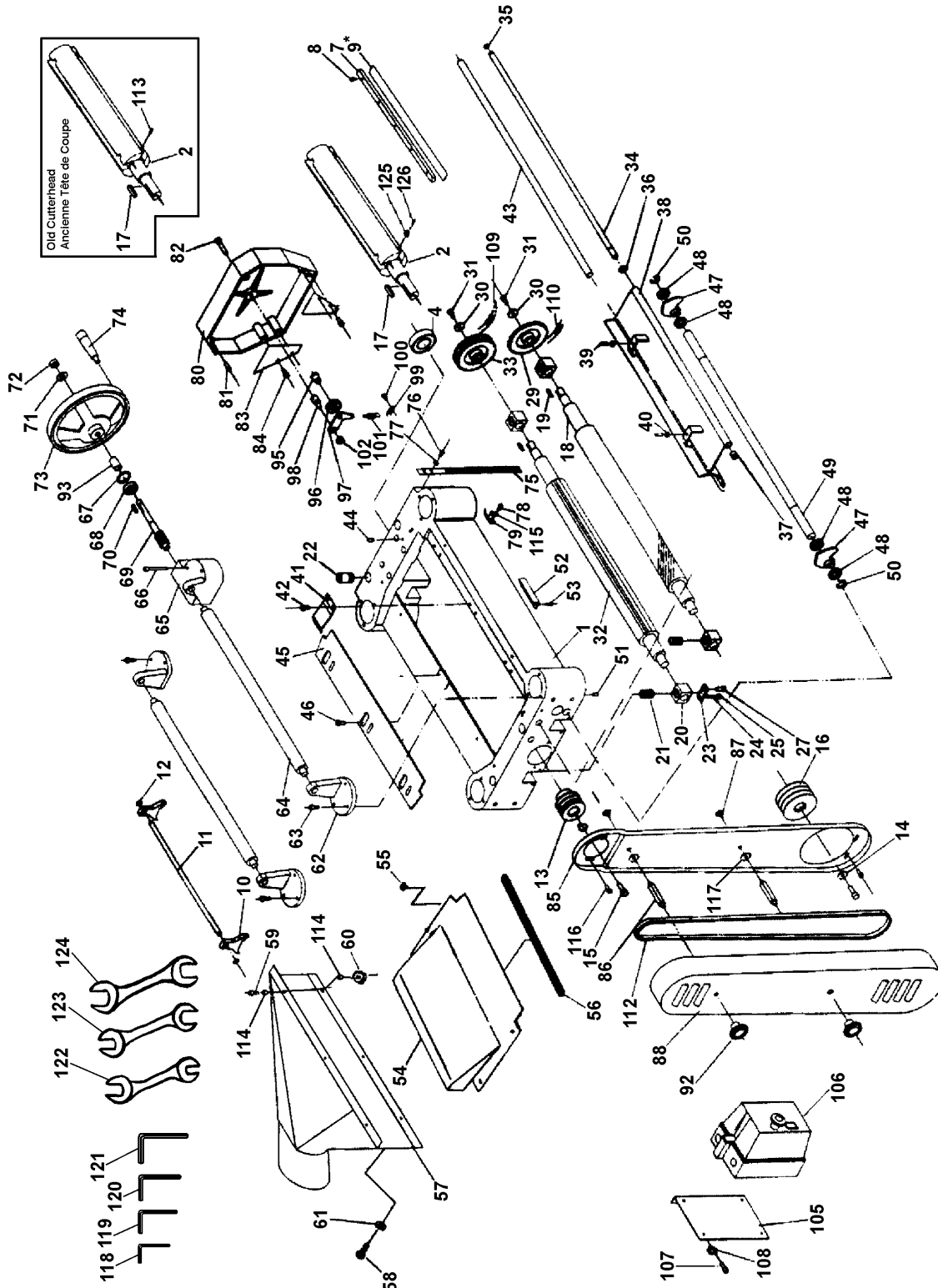
15" Planer Raboteuse 15"



Revised/Revisé 08/2008

Head Diagram / Diagramme de la Tête

KC-385FX





Service Manual / Manuel de Service

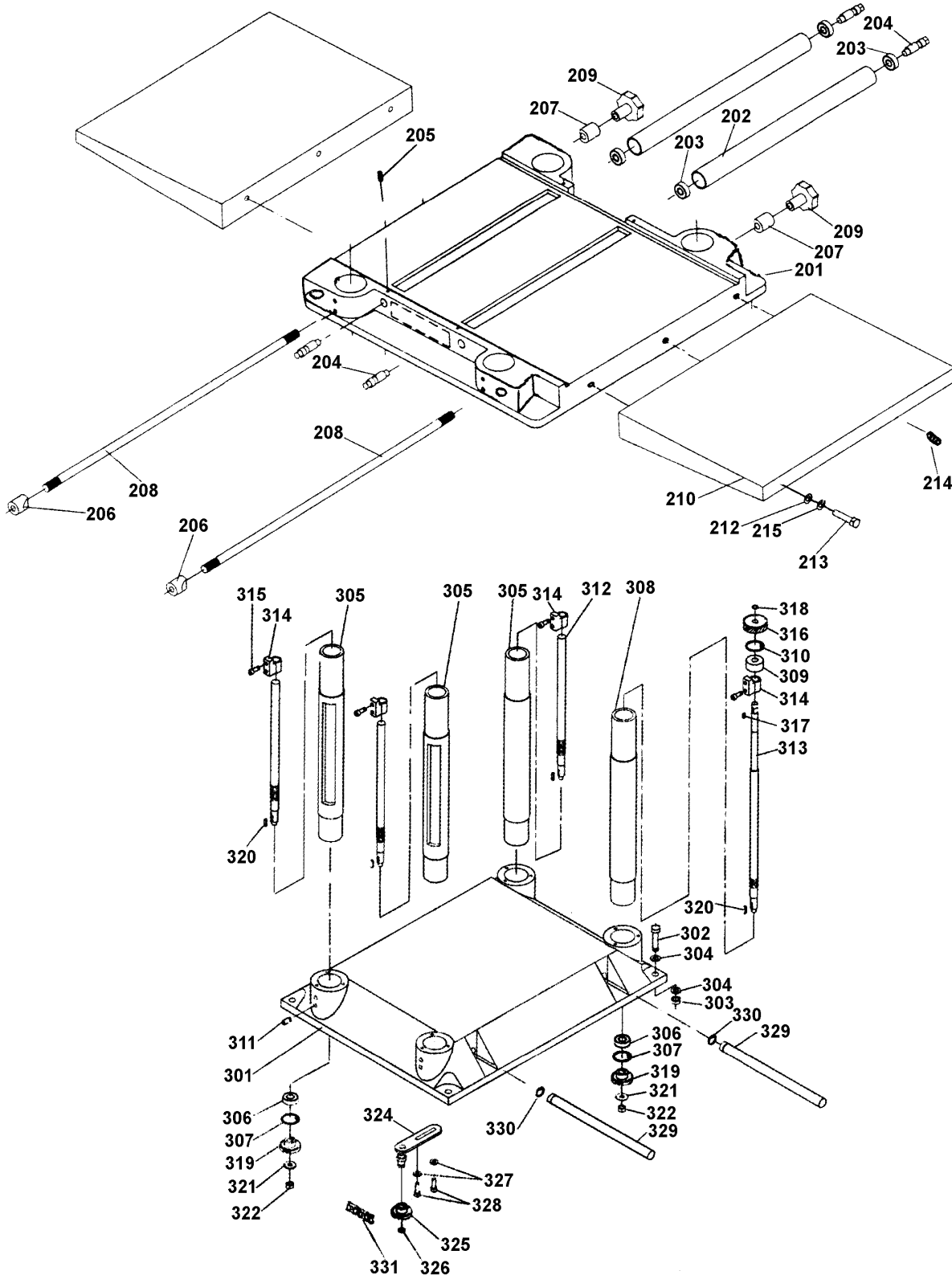
15" Planer Raboteuse 15"



Revised/Revisé 08/2008

Column Diagram / Diagramme des Colonnes

KC-385FX





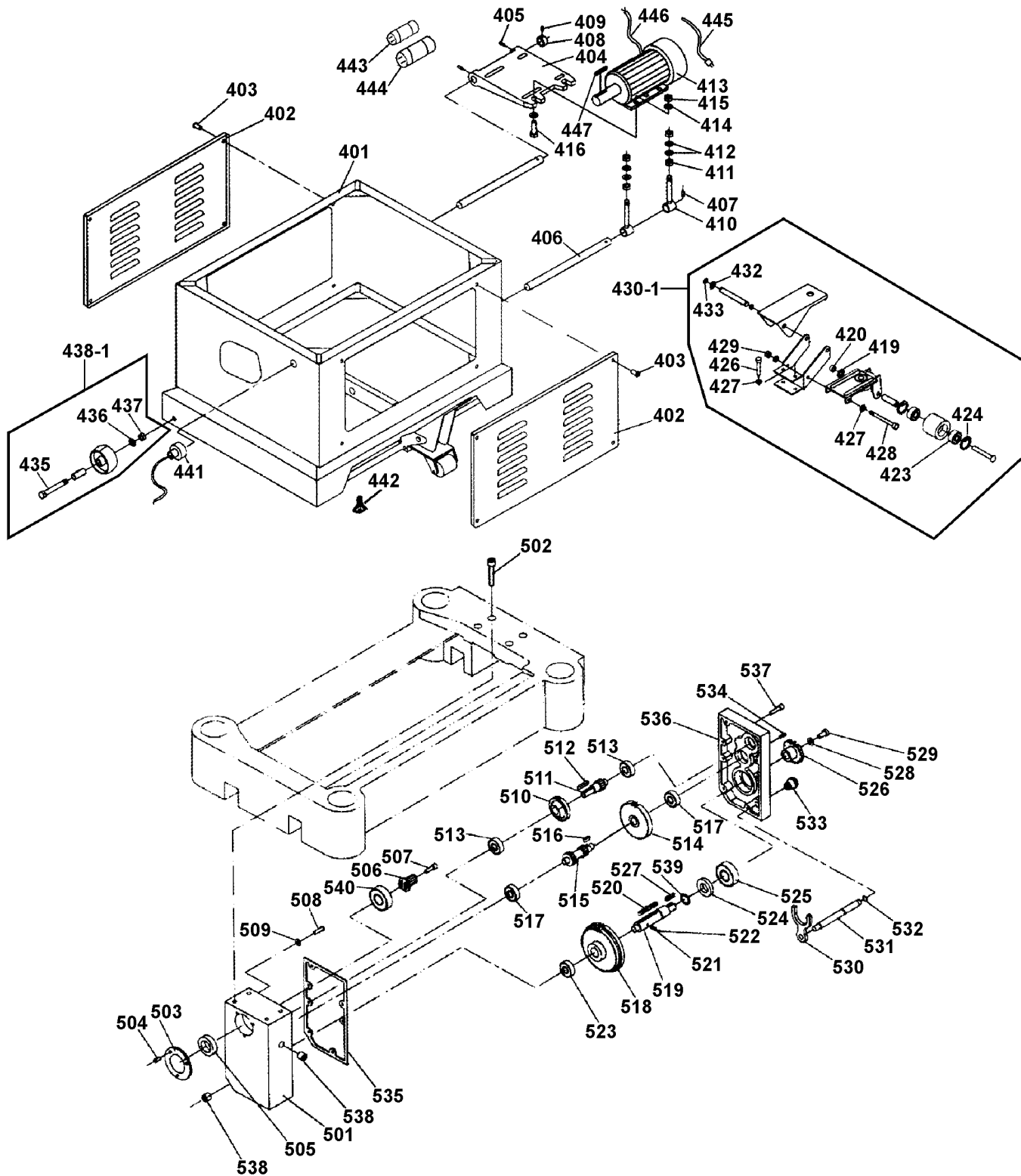
15" Planer Raboteuse 15"



Revised/Revisé 08/2008

Cabinet & Gear Box Diagram / Diagramme du Cabinet et du Boîtier D'Engrenage

KC-385FX





Parts Pricing List / Liste de Prix des Pièces **KC-385FX**

| Diag. | Order # Com. | English Description | Description Française | Qty./Qté. | Price/Prix |
|-------|--------------|------------------------------|--------------------------------|-----------|------------|
| 1 | 4503850010 | HEAD CASTING (SPECIAL ORDER) | TETE EN FONTE (COMM. SPECIALE) | 1 | \$454.25 |
| 2 | 4503850020 | 15" CUTTERHEAD (3 KNIVES) | TETE DE COUPE 15" (3 COUTEAUX) | 1 | \$270.25 |
| 4 | 4503850040 | BALL BEARING | ROULEMENT A BILLES | 1 | \$21.68 |
| 7 | 4503850070 | KNIFE LOCKING BAR | BARRE DE VERROUILLAGE | 3 | \$17.08 |
| 8 | 4503850080 | KNIFE LOCKING BOLT | BOULON DE VERROUILLAGE | 15 | \$2.70 |
| 9 | KKC-15 | SET OF H.S.S. KNIVES (3) | JEU DE COUTEAUX EN ACIER (3) | 1 | - |
| 10 | 4503850100 | KNIFE GAUGE | JAUGE A COUTEAU | 2 | \$10.18 |
| 11 | 4503850110 | KNIFE GAUGE ROD | TIGE DU JAUGE A COUTEAU | 1 | \$11.10 |
| 12 | 4503850120 | RETAINING RING/SHAFT | ANNEAU DE RETENU/TIGE | 2 | \$1.55 |
| 13 | 4503850130 | CUTTERHEAD PULLEY | POULIE DE LA TETE DE COUPE | 1 | \$27.43 |
| 14 | 4503850140 | PULLEY WASHER | RONDELLE SPECIALE (LARGE) | 2 | \$3.16 |
| 15 | 4503850150 | HEX. BOLT | BOULON HEXAGONAL | 2 | \$1.84 |
| 16 | 4503850160 | MOTOR PULLEY | POULIE DU MOTEUR | 1 | \$34.21 |
| 17 | 4503850170 | KEY | CLE DE RETENUE | 2 | \$2.59 |
| 18 | 4503850180 | 15" INFEED ROLLER | ROULEAU D'ALIMENTATION 15" | 1 | \$148.35 |
| 19 | 4503850190 | KEY | CLE DE RETENUE | 2 | \$2.01 |
| 20 | 4503850200 | ROLLER BUSHING | SUPPORT DE ROULEAU | 4 | \$12.59 |
| 21 | 4503850210 | ROLLER SPRING | RESSORT DES ROULEAUX | 4 | \$4.54 |
| 22 | 4503850220 | HEADLESS ADJUST SCREW | VIS D'AJUSTEMENT SANS TETE | 4 | \$4.54 |
| 23 | 4503850230 | SUPPORT PLATE | PLAQUE DE SOUTIEN | 4 | \$4.08 |
| 24 | 4503850240 | SET SCREW | VIS SANS TETE | 4 | \$1.67 |
| 25 | 4503850250 | HEX. NUT | ECROU HEXAGONAL | 4 | \$1.67 |
| 27 | 4503850270 | HEX. BOLT | BOULON HEXAGONAL | 4 | \$2.07 |
| 29 | 4503850290 | CHAIN SPROCKET | ENGRENAGE A PIGNON | 1 | \$38.93 |
| 30 | 4503850300 | WASHER | RONDELLE | 2 | \$2.70 |
| 31 | 4503850310 | HEX. BOLT | BOULON HEXAGONAL | 2 | \$1.67 |
| 32 | 4503850320 | 15" OUTFEED ROLLER | ROULEAU DE SORTIE 15" | 1 | \$125.35 |
| 33 | 4503850330 | DOUBLE CHAIN SPROCKET | ENGRENAGE DOUBLE A PIGNON | 1 | \$67.56 |
| 34 | 4503850340 | LOCKING SHAFT | TIGE DE VERROUILLAGE | 1 | \$14.66 |
| 35 | 4503850350 | RETAINING RING/SHAFT | ANNEAU DE RETENU/TIGE | 1 | \$1.55 |
| 36 | 4503850360 | SPRING WASHER | RONDELLE A RESSORT | 1 | \$1.67 |
| 37 | 4503850370 | HEX. NUT | ECROU HEXAGONAL | 1 | \$1.78 |
| 38 | 4503850380 | CHIPBREAKER | DEFLECTEUR DE COPEAUX | 1 | \$61.93 |
| 39 | 4503850390 | SET SCREW | VIS SANS TETE | 2 | \$1.67 |
| 40 | 4503850400 | HEX. NUT | ECROU HEXAGONAL | 2 | \$1.67 |
| 41 | 4503850410 | SPRING PLATE | PLAQUE A RESSORT | 3 | \$4.54 |
| 42 | 4503850420 | FLANGE HD BOLT | BOULON A TETE BRIDEE | 6 | \$2.01 |
| 43 | 4503850430 | PIVOT ROD | TIGE DE PIVOTEMENT | 1 | \$15.58 |
| 44 | 4503850440 | SET SCREW | VIS SANS TETE | 1 | \$1.67 |
| 45 | 4503850450 | CHIP DEFLECTOR PLATE | PLAQUE DE DEFLECTION | 1 | \$21.56 |
| 46 | 4503850460 | FLANGE HD BOLT | BOULON A TETE BRIDEE | 3 | \$2.01 |
| 47 | 4503850470 | ANTI-KICK BACK FINGER | DOIGT ANTI-RECU | 29 | \$4.54 |
| 48 | 4503850480 | SPACER | ESPACEUR | 30 | \$2.70 |
| 49 | 4503850490 | FINGER SHAFT | TIGE DES DOIGTS | 1 | \$19.15 |
| 50 | 4503850500 | RETAINING RING/SHAFT | ANNEAU DE RETENU | 2 | \$2.01 |
| 51 | 4503850510 | SET SCREW | VIS SANS TETE | 1 | \$2.13 |
| 52 | 4503850520 | CUT LIMIT PLATE | PLAQUE DE LIMITE DE COUPE | 1 | \$4.54 |

Pricing subject to change without prior notice. / Prix sujet à changement sans préavis.



Parts Pricing List / Liste de Prix des Pièces **KC-385FX**

| Diag. | Order # Com. | English Description | Description Française | Qty./Qté. | Price/Prix |
|-------|--------------|----------------------|---------------------------------|-----------|------------|
| 53 | 4503850530 | COUNTERSUNK SCREW | VIS A TETE FRAISEE | 2 | \$1.67 |
| 54 | 4503850540 | CUTTERHEAD COVER | COUVERCLE DE LA TETE DE COUPE | 1 | \$52.61 |
| 55 | 4503850550 | FLANGE HD BOLT | BOULON A TETE BRIDEE | 4 | \$2.01 |
| 56 | 4503850560 | FOAM | MOUSSE | 1 | \$3.39 |
| 57 | 4503850570 | DUST HOOD | SORTIE DES COPEAUX | 1 | \$52.73 |
| 58 | 4503850580 | CAP SCREW | BOULON A TETE CYLINDRIQUE | 3 | \$2.47 |
| 59 | 4503850590 | HEX. BOLT | BOULON HEXAGONAL | 3 | \$1.61 |
| 60 | 4503850600 | HEX. NUT | ECROU HEXAGONAL | 3 | \$1.67 |
| 61 | 4503850610 | WASHER | RONDELLE | 6 | \$1.55 |
| 62 | 4503850620 | ROLLER BRACKET | SUPPORT DU ROULEAU | 3 | \$19.49 |
| 63 | 4503850630 | CAP SCREW | BOULON A TETE CYLINDRIQUE | 9 | \$2.47 |
| 64 | 4503850640 | ROLLER | ROULEAU | 2 | \$29.84 |
| 65 | 4503850650 | WORM GEAR HOUSING | BOITIER D'ENGRENAGE | 1 | \$68.83 |
| 66 | 4503850660 | CAP SCREW | BOULON A TETE CYLINDRIQUE | 3 | \$3.05 |
| 67 | 4503850670 | RETAINING RING/BORE | ANNEAU DE RETENU/ALESAGE | 1 | \$2.24 |
| 68 | 4503850680 | BALL BEARING | ROULEMENT A BILLES | 1 | \$10.29 |
| 69 | 4503850690 | WORM GEAR SHAFT | TIGE A ENGRENAGE SANS FIN | 1 | \$36.28 |
| 70 | 4503850700 | KEY | CLE DE RETENUE | 1 | \$1.90 |
| 71 | 4503850710 | WASHER | RONDELLE | 1 | \$1.90 |
| 72 | 4503850720 | HEX. NUT | ECROU HEXAGONAL | 1 | \$1.78 |
| 73 | 4503850730 | HANDWHEEL | MANIVELLE | 1 | \$45.94 |
| 74 | 4503850740 | WHEEL HANDLE | POIGNEE DE LA MANIVELLE | 1 | \$12.25 |
| 75 | 4503850750 | DEPTH SCALE | ECHELLE DE PROFONDEUR | 1 | \$5.23 |
| 76 | 4503850760 | PAN HD SCREW | VIS A TETE BOMBEE | 2 | \$1.44 |
| 77 | 4503850770 | WASHER | RONDELLE | 2 | \$1.55 |
| 78 | 4503850780 | PAN HD SCREW | VIS A TETE BOMBEE | 2 | \$1.67 |
| 79 | 4503850790 | POINTER | INDICATEUR | 1 | \$3.28 |
| 80 | 4503850800 | CHAIN GEAR COVER | COUV. DES ENGRENAGES A CHAINE | 1 | \$65.26 |
| 81 | 4503850810 | SPRING PIN | GOUPILLE A RESSORT | 2 | \$1.78 |
| 82 | 4503850820 | CAP SCREW | BOULON A TETE CYLINDRIQUE | 1 | \$3.05 |
| 83 | 4503850830 | SAFETY HATCH | PLAQUE DE SECURITE | 2 | \$5.58 |
| 84 | 4503850840 | FLANGE HD BOLT | BOULON A TETE BRIDEE | 4 | \$1.67 |
| 85 | 4503850850 | BELT GUARD (INSIDE) | PROTECTEUR DES COURROIES (INT.) | 1 | \$49.16 |
| 86 | 4503850860 | SPACER BOLT | BOULON ESPACEUR | 2 | \$4.54 |
| 87 | 4503850870 | COUNTERSUNK HD SCREW | VIS A TETE FRAISEE | 2 | \$1.78 |
| 88 | 4503850880 | BELT GUARD (OUTSIDE) | PROTECTEUR DES COURROIES (EXT.) | 1 | \$80.33 |
| 92 | 4503850920 | LOCK KNOB | BOUTON DE VERROUILLAGE | 2 | \$4.54 |
| 93 | 4503850930 | SPACER | BAGUE ESPACEUR | 1 | \$3.16 |
| 95 | 4503850950 | TENSION WHEEL SHAFT | TIGE DE LA ROUE DE TENSION | 1 | \$5.69 |
| 96 | 4503850960 | TENSION WHEEL | ROUE DE TENSION | 1 | \$6.15 |
| 97 | 4503850970 | WHEEL BRACKET | SUPPORT DE LA ROUE | 1 | \$5.58 |
| 98 | 4503850980 | THREADED SHAFT | TIGE FILETEE | 1 | \$6.15 |
| 99 | 4503850990 | HANGER | CROCHET | 1 | \$4.43 |
| 100 | 4503851000 | CAP SCREW | BOULON A TETE CYLINDRIQUE | 2 | \$1.67 |
| 101 | 4503851010 | SPRING | RESSORT | 1 | \$2.70 |
| 102 | 4503851020 | SPACER | BAGUE ESPACEUR | 1 | \$2.70 |
| 105 | 4503851050 | SWITCH PLATE | PLAQUE DE L'INTERRUPTEUR | 1 | \$15.58 |

Pricing subject to change without prior notice. / Prix sujet à changement sans préavis.



® Parts Pricing List / Liste de Prix des Pièces **KC-385FX**

| Diag. | Order # Com. | English Description | Description Française | Qty./Qté. | Price/Prix |
|-------|--------------|-----------------------------|------------------------------------|-----------|------------|
| 106 | 4503851060 | MAGNETIC SWITCH | INTERRUPTEUR MAGNETIQUE | 1 | \$251.68 |
| 107 | 4503851070 | CAP SCREW | BOULON A TETE CYLINDRIQUE | 2 | \$1.78 |
| 108 | 4503851080 | WASHER | RONDELLE | 2 | \$1.55 |
| 109 | 4503851090 | CHAIN | CHAINE | 1 | \$25.13 |
| 110 | 4503851100 | CHAIN | CHAINE | 1 | \$17.19 |
| 112 | 4503851120 | V-BELT | COURROIE EN "V" | 3 | \$21.79 |
| 113 | 4503851130 | JACK SCREW | VIS D'ELEVATION | 9 | \$2.13 |
| 114 | 4503851140 | WASHER | RONDELLE | 6 | \$1.61 |
| 115 | 4503851150 | WASHER | RONDELLE | 2 | \$1.55 |
| 116 | 4503851160 | FLANGE HD BOLT | BOULON A TETE BRIDEE | 4 | \$2.01 |
| 117 | 4503851170 | WASHER | RONDELLE | 2 | \$1.61 |
| 118 | 4503851180 | HEX. KEY (2.5MM) | CLE HEXAGONALE (2.5MM) | 1 | \$3.39 |
| 119 | 4503851190 | HEX. KEY (3MM) | CLE HEXAGONALE (3MM) | 1 | \$2.59 |
| 120 | 4503851200 | HEX. KEY (5MM) | CLE HEXAGONALE (5MM) | 1 | \$2.59 |
| 121 | 4503851210 | HEX. KEY (6MM) | CLE HEXAGONALE (6MM) | 1 | \$2.93 |
| 122 | 4503851220 | OPEN END WRENCH (10-12MM) | CLE OUVERTE (10-12MM) | 1 | \$4.43 |
| 123 | 4503851230 | OPEN END WRENCH (14-17MM) | CLE OUVERTE (14-17MM) | 1 | \$6.61 |
| 124 | 4503851240 | OPEN END WRENCH (17-19MM) | CLE OUVERTE (17-19MM) | 1 | \$4.89 |
| 125 | 4503851250 | KNIFE LIFTER SLEEVE | BAGUE D'ELEVATION POUR COUTEAU | 6 | \$3.39 |
| 126 | 4503851260 | ADJUSTING SCREW | VIS D'AJUSTEMENT | 6 | \$2.24 |
| 201 | 4503852010 | WORKING TABLE (SPEC. ORDER) | TABLE DE RABOTAGE (COMM. SPEC.) | 1 | \$442.75 |
| 202 | 4503852020 | TABLE ROLLER | ROULEAU DE LA TABLE | 2 | \$27.20 |
| 203 | 4503852030 | BALL BEARING | ROULEMENT A BILLES | 4 | \$13.74 |
| 204 | 4503852040 | ECCENTRIC LOCK SHAFT | TIGE EXCENTRIQUE DE VERROUILLAGE | 4 | \$10.98 |
| 205 | 4503852050 | SET SCREW | VIS SANS TETE | 4 | \$1.61 |
| 206 | 4503852060 | THREADED BUSHING | BAGUE FILETEE DE VERROUILLAGE | 2 | \$5.69 |
| 207 | 4503852070 | LOCKSMITH BUSHING | BAGUE DE VERROUILLAGE | 2 | \$5.35 |
| 208 | 4503852080 | LOCK SHAFT | TIGE FILETEE DE VERROUILLAGE | 2 | \$16.85 |
| 209 | 4503852090 | LOCK KNOB | BOUTON DE VERROUILLAGE | 2 | \$11.21 |
| 210 | 4503852100 | CAST IRON EXTENSION TABLE | TABLE D'EXTENSION EN FONTE D'ACIER | 2 | \$159.85 |
| 212 | 4503852120 | WASHER | RONDELLE | 6 | \$1.55 |
| 213 | 4503852130 | HEX. BOLT | BOULON HEXAGONAL | 6 | \$1.90 |
| 214 | 4503852140 | SET SCREW | VIS SANS TETE | 4 | \$1.67 |
| 215 | 4503852150 | SPRING WASHER | RONDELLE A RESSORT | 6 | \$1.67 |
| 301 | 4503853010 | BASE (SPECIAL ORDER) | SOCLE (COMMANDE SPECIALE) | 1 | \$424.35 |
| 302 | 4503853020 | HEX. BOLT | BOULON HEXAGONAL | 4 | \$2.19 |
| 303 | 4503853030 | HEX. NUT | ECROU HEXAGONAL | 4 | \$1.78 |
| 304 | 4503853040 | WASHER | RONDELLE | 8 | \$1.67 |
| 305 | 4503853050 | COLUMN | COLONNE | 3 | \$100.80 |
| 306 | 4503853060 | BALL BEARING | ROULEMENT A BILLES | 4 | \$11.44 |
| 307 | 4503853070 | RETAINING RING/BORE | ANNEAU DE RETENU/ALESAGE | 4 | \$2.47 |
| 308 | 4503853080 | HANDWHEEL COLUMN | COLONNE DE LA MANIVELLE | 1 | \$107.81 |
| 309 | 4503853090 | BUSHING | BAGUE | 1 | \$5.69 |
| 310 | 4503853100 | RETAINING RING/BORE | ANNEAU DE RETENU/ALESAGE | 1 | \$2.70 |
| 311 | 4503853110 | SET SCREW | VIS SANS TETE | 8 | \$2.01 |
| 312 | 4503853120 | LEAD SCREW | TIGE SANS FIN | 3 | \$45.60 |
| 313 | 4503853130 | HANDWHEEL LEAD SCREW | TIGE FILETEE DE LA MANIVELLE | 1 | \$57.33 |
| 314 | 4503853140 | ELEVATING NUT | ECROU POUR ELEVATION | 4 | \$9.03 |

Pricing subject to change without prior notice. / Prix sujet à changement sans préavis.



® Parts Pricing List / Liste de Prix des Pièces **KC-385FX**

| Diag. | Order # Com. | English Description | Description Française | Qty./Qté. | Price/Prix |
|-------|--------------|-------------------------------|-------------------------------|-----------|------------|
| 315 | 4503853150 | CAP SCREW | BOULON A TETE CYLINDRIQUE | 8 | \$1.67 |
| 316 | 4503853160 | WORM GEAR | ENGRENAGE SANS FIN | 1 | \$27.43 |
| 317 | 4503853170 | KEY | CLE DE RETENUE | 1 | \$1.78 |
| 318 | 4503853180 | RETAINING RING/SHAFT | ANNEAU DE RETENU/TIGE | 1 | \$1.50 |
| 319 | 4503853190 | CHAIN SPROCKET | ENGRENAGE A PIGNON | 4 | \$16.85 |
| 320 | 4503853200 | KEY | CLE DE RETENUE | 4 | \$1.67 |
| 321 | 4503853210 | WASHER | RONDELLE | 4 | \$1.55 |
| 322 | 4503853220 | HEX. NUT | ECROU HEXAGONAL | 4 | \$2.59 |
| 324 | 4503853240 | SPROCKET BRACKET W/SHAFT | SUPPORT DE L'ENGRENAGE A/TIGE | 1 | \$16.04 |
| 325 | 4503853250 | CHAIN SPROCKET | ENGRENAGE A PIGNON | 1 | \$15.93 |
| 326 | 4503853260 | RETAINING RING/SHAFT | ANNEAU DE RETENU/TIGE | 1 | \$1.55 |
| 327 | 4503853270 | WASHER | RONDELLE | 2 | \$1.67 |
| 328 | 4503853280 | HEX. BOLT | BOULON HEXAGONAL | 2 | \$1.84 |
| 329 | 4503853290 | LIFTING BAR | BARRE DE MANUTENTION | 4 | \$13.63 |
| 330 | 4503853300 | "E" RETAINING RING | ANNEAU DE RETENU EN "E" | 4 | \$1.55 |
| 331 | 4503853310 | ELEVATING CHAIN | CHAINE POUR ELEVATION | 1 | \$44.56 |
| 401 | 4503854010 | STAND CABINET (SPECIAL ORDER) | CABINET SUPPORT (COMM. SPEC.) | 1 | \$442.75 |
| 402 | 4503854020 | CABINET PANEL | PANNEAU DE CABINET | 2 | \$61.93 |
| 403 | 4503854030 | ROUND HD HEX. SCREW | VIS TETE RONDE HEXAGONAL | 8 | \$1.78 |
| 404 | 4503854040 | MOTOR MOUNT PLATE | PLAQUE DE MONTAGE DU MOTEUR | 1 | \$32.95 |
| 405 | 4503854050 | SET SCREW | VIS SANS TETE | 2 | \$1.61 |
| 406 | 4503854060 | MOTOR PLATE PIVOT ROD | TIGE DE PIVOTEMENT | 2 | \$13.63 |
| 407 | 4503854070 | SET SCREW | VIS SANS TETE | 1 | \$1.55 |
| 408 | 4503854080 | COLLAR BUSHING | COLLET ESPACEUR | 1 | \$4.20 |
| 409 | 4503854090 | SET SCREW | VIS SANS TETE | 1 | \$1.55 |
| 410 | 4503854100 | ADJUST BOLT | BOULON D'AJUSTEMENT | 2 | \$9.14 |
| 411 | 4503854110 | HEX. NUT | ECROU HEXAGONAL | 4 | \$2.59 |
| 412 | 4503854120 | WASHER | RONDELLE | 4 | \$1.61 |
| 413 | 4503854130 | MOTOR | MOTEUR | 1 | \$343.85 |
| 414 | 4503854140 | WASHER | RONDELLE | 8 | \$1.61 |
| 415 | 4503854150 | HEX. NUT | ECROU HEXAGONAL | 4 | \$1.61 |
| 416 | 4503854160 | HEX. BOLT | BOULON HEXAGONAL | 4 | \$2.19 |
| 419 | 4503854190 | WASHER | RONDELLE | 1 | \$1.67 |
| 420 | 4503854200 | NYLON HEX. NUT | ECROU HEXAGONAL AVEC NYLON | 1 | \$1.73 |
| 423 | 4503854230 | BALL BEARING | ROULEMENT A BILLES | 2 | \$11.44 |
| 424 | 4503854240 | RETAINING RING/BORE | ANNEAU DE RETENU/ALESAGE | 2 | \$2.59 |
| 426 | 4503854260 | HEX. BOLT | BOULON HEXAGONAL | 2 | \$2.24 |
| 427 | 4503854270 | WASHER | RONDELLE | 3 | \$1.67 |
| 428 | 4503854280 | HEX. BOLT | BOULON HEXAGONAL | 1 | \$3.97 |
| 429 | 4503854290 | HEX. NUT | ECROU HEXAGONAL | 1 | \$1.61 |
| 430-1 | 4503854301 | RETRACTABLE WHEEL ASS'Y | ROUE RETRACTABLE ASSEMBLE | 1 | \$103.44 |
| 432 | 4503854320 | WASHER | RONDELLE | 2 | \$1.67 |
| 433 | 4503854330 | RETAINING RING/SHAFT | ANNEAU DE RETENU/TIGE | 2 | \$1.55 |
| 435 | 4503854350 | HEX. BOLT | BOULON HEXAGONAL | 2 | \$3.74 |
| 436 | 4503854360 | WASHER | RONDELLE | 4 | \$1.61 |
| 437 | 4503854370 | HEX. NUT | ECROU HEXAGONAL | 2 | \$1.67 |
| 438-1 | 4503854381 | REAR WHEEL ASS'Y | ROUE ARRIERE ASSEMBLEE | 2 | \$20.64 |
| 441 | 4503854410 | STRAIN RELIEF | ATTACHE FIL | 1 | \$2.70 |

Pricing subject to change without prior notice. / Prix sujet à changement sans préavis.



Parts Pricing List / Liste de Prix des Pièces **KC-385FX**

| Diag. | Order # Com. | English Description | Description Française | Qty./Qté. | Price/Prix |
|-------|--------------|---------------------------|---------------------------------|-----------|------------|
| 442 | 4503854420 | RUBBER FOOT | PIED EN CAOUTCHOUC | 2 | \$4.43 |
| 443 | 4503854430 | RUNNING CAPACITOR | CONDENSATEUR D'OPERATION | 1 | \$19.49 |
| 444 | 4503854440 | STARTING CAPACITOR | CONDENSATEUR DE DEMARRAGE | 1 | \$30.65 |
| 445 | 4503854450 | POWER CORD | CORDON D'ALIMENTATION | 1 | \$26.28 |
| 446 | 4503854460 | MOTOR CORD | CORDON DU MOTEUR | 1 | \$16.04 |
| 447 | 4503854470 | KEY | CLE DE RETENUE | 1 | \$2.01 |
| 501 | 4503855010 | GEAR BOX | BOITIER D'ENGRENAGE | 1 | \$103.10 |
| 502 | 4503855020 | CAP SCREW | BOULON A TETE CYLINDRIQUE | 4 | \$3.05 |
| 503 | 4503855030 | FLANGE COVER | COUVERCLE DU JOINT D'ETANCHEITE | 1 | \$4.31 |
| 504 | 4503855040 | CAP SCREW | BOULON A TETE CYLINDRIQUE | 3 | \$1.67 |
| 505 | 4503855050 | OIL SEAL | JOINT D'ETANCHEITE | 1 | \$20.64 |
| 506 | 4503855060 | HELICAL GEAR | ENGRENAGE HELICOIDAL | 1 | \$22.60 |
| 507 | 4503855070 | CAP SCREW | BOULON A TETE CYLINDRIQUE | 1 | \$2.70 |
| 508 | 4503855080 | PAN HD SCREW | VIS A TETE BOMBEE | 1 | \$1.90 |
| 509 | 4503855090 | WASHER | RONDELLE | 1 | \$1.67 |
| 510 | 4503855100 | GEAR | ENGRENAGE | 1 | \$34.33 |
| 511 | 4503855110 | SINGLE GEARED SHAFT | TIGE D'ENGRENAGE SIMPLE | 1 | \$20.64 |
| 512 | 4503855120 | KEY | CLE DE RETENUE | 1 | \$1.78 |
| 513 | 4503855130 | BALL BEARING | ROULEMENT A BILLES | 2 | \$11.10 |
| 514 | 4503855140 | GEAR | ENGRENAGE | 1 | \$34.33 |
| 515 | 4503855150 | DOUBLE GEARED SHAFT | TIGE D'ENGRENAGE DOUBLE | 1 | \$27.54 |
| 516 | 4503855160 | KEY | CLE DE RETENUE | 1 | \$1.78 |
| 517 | 4503855170 | BALL BEARING | ROULEMENT A BILLES | 2 | \$11.10 |
| 518 | 4503855180 | DOUBLE GEAR ASSEMBLY | ENGRENAGE DOUBLE ASSEMBLE | 1 | \$112.53 |
| 519 | 4503855190 | SHAFT | TIGE | 1 | \$34.44 |
| 520 | 4503855200 | KEY | CLE DE RETENUE | 1 | \$2.24 |
| 521 | 4503855210 | SPRING | RESSORT | 1 | \$2.70 |
| 522 | 4503855220 | STEEL BALL | BILLE EN ACIER | 1 | \$2.01 |
| 523 | 4503855230 | BALL BEARING | ROULEMENT A BILLES | 1 | \$11.10 |
| 524 | 4503855240 | BALL BEARING | ROULEMENT A BILLES | 1 | \$22.94 |
| 525 | 4503855250 | OIL SEAL | JOINT D'ETANCHEITE | 1 | \$16.04 |
| 526 | 4503855260 | CHAIN SPROCKET | ENGRENAGE A PIGNON | 1 | \$17.08 |
| 527 | 4503855270 | KEY | CLE DE RETENUE | 1 | \$1.78 |
| 528 | 4503855280 | WASHER | RONDELLE | 1 | \$1.90 |
| 529 | 4503855290 | CAP SCREW | BOULON A TETE CYLINDRIQUE | 1 | \$1.90 |
| 530 | 4503855300 | CLUTCH FORK | FOURCHETTE D'EMBRAYAGE | 1 | \$15.93 |
| 531 | 4503855310 | CLUTCH SHAFT | TIGE DE L'EMBRAYAGE | 1 | \$14.55 |
| 532 | 4503855320 | O-RING | ANNEAU D'ETANCHEITE | 1 | \$2.01 |
| 533 | 4503855330 | FEED SPEED KNOB | BOUTON DE LA TIGE DES VITESSES | 1 | \$3.39 |
| 534 | 4503855340 | SPRING PIN | GOUPILLE | 2 | \$2.24 |
| 535 | 4503855350 | GASKET | JOINT D'ETANCHEITE | 1 | \$10.06 |
| 536 | 4503855360 | GEAR BOX COVER | COUVERCLE DU BOITIER | 1 | \$79.18 |
| 537 | 4503855370 | CAP SCREW | BOULON A TETE CYLINDRIQUE | 5 | \$2.70 |
| 538 | 4503855380 | OIL PLUG | BOUCHON A L'HUILE | 2 | \$3.39 |
| 539 | 4503855390 | RETAINING RING/SHAFT | ANNEAU DE RETENU/TIGE | 1 | \$1.78 |
| 540 | 4503855400 | BALL BEARING | ROULEMENT A BILLES | 1 | \$17.19 |
| 555-5 | 4503855555 | HARDWARE BAG | SAC DE QUINCAILLERIE | 1 | \$74.69 |
| | 450385MBIL | BILINGUAL MANUAL KC-385FX | MANUEL BILINGUE KC-385FX | 1 | \$15.00 |

Pricing subject to change without prior notice. / Prix sujet à changement sans préavis.